

इंटरनेट

मानक

Disclosure to Promote the Right To Information

Whereas the Parliament of India has set out to provide a practical regime of right to information for citizens to secure access to information under the control of public authorities, in order to promote transparency and accountability in the working of every public authority, and whereas the attached publication of the Bureau of Indian Standards is of particular interest to the public, particularly disadvantaged communities and those engaged in the pursuit of education and knowledge, the attached public safety standard is made available to promote the timely dissemination of this information in an accurate manner to the public.

“जानने का अधिकार, जीने का अधिकार”

Mazdoor Kisan Shakti Sangathan

“The Right to Information, The Right to Live”

“पुराने को छोड़ नये के तरफ”

Jawaharlal Nehru

“Step Out From the Old to the New”

IS 11777-12 (1987): Circular Connectors for Radio and Associated Sound Equipment for Frequencies Below 3 MHz Including DC, Part 12: Free Six-Socket Connector for Various Applications, Type 11777 IS-11 [LITD 3: Electromechanical Components and Mechanical Structures for Electronic Equipment]



“ज्ञान से एक नये भारत का निर्माण”

Satyanarayan Gangaram Pitroda

“Invent a New India Using Knowledge”



“ज्ञान एक ऐसा खजाना है जो कभी चुराया नहीं जा सकता है”

Bhartrhari—Nitiśatakam

“Knowledge is such a treasure which cannot be stolen”

BLANK PAGE



Indian Standard

SPECIFICATION FOR CIRCULAR CONNECTORS FOR RADIO AND ASSOCIATED SOUND EQUIPMENT FOR FREQUENCIES BELOW 3 MHz INCLUDING DC

PART 12 FREE SIX-SOCKET CONNECTOR FOR VARIOUS APPLICATIONS, TYPE 11777 IS-11

Connectors for Electronic Equipment Sectional Committee, LTDC 16; Panel for LF Connectors for Electronic Equipment, LTDC 16/P2 [Ref: Doc: LTDC 16 (1205)]

0. General — This standard shall be read in conjunction with IS : 11777 (Part 1)-1986 'Specification for circular connectors for radio and associated sound equipment for frequencies below 3 MHz including dc : Part 1 Test schedule and requirements'.

1. Type Designation — See 4 of IS : 11777 (Part 1)-1986.

2. Outline and Dimensions — The outline and dimensions shall be according to Fig. 1 and Table 1.

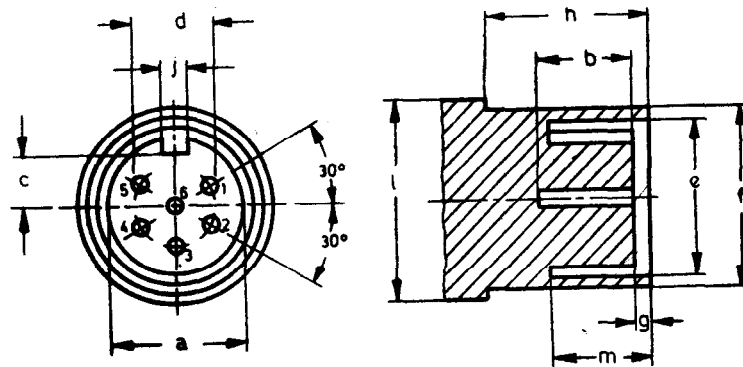


FIG. 1 OUTLINE AND DIMENSIONS

TABLE 1 DIMENSIONS

All dimensions in millimetres.

Reference	Max	Min
a	11.8	11.6
b	—	8.7
c	4.5	—
d	7.05	6.95
e	14.0	13.8
f	16.5	—
g	1.0	—
h	—	15.0
j	2.7	2.5
l	18.0	—
m	—	9.0

3. Climatic Category — See 3 of IS : 11777 (Part 1)-1986.

4. Contact Arrangements and Connections — See 5 of IS : 11777 (Part 1)-1986.

Adopted 29 June 1987

© March 1988, BIS

Gr 1

IS : 11777 (Part 12) - 1987

5. Electrical Ratings — The voltage rating shall be 34V ac or dc and current rating shall be 2A ac or dc.

6. Materials and Workmanship — See 7 of IS : 11777 (Part 1)-1986.

7. Tests — See 9 of IS : 11777 (Part 1)-1986.

8. Marking — See 8 of IS : 11777 (Part 1)-1986.

EXPLANATORY NOTE

This standard is based on IEC Pub 130-9A (1975) First supplement to Publication 130-9 (1975) 'Connectors for frequencies below 3 MHz : Part 9 Circular connectors for radio and associated sound equipment'. The type of connector covered in this standard is equivalent to Type 130-9 IEC18.